

Round Touch Sensor

..the natural alternative to the stainless steel pad with a clear concise signage ..



Designed, manufactured & supported in the UK & EU



OVERVIEW

The Round Touch Sensor range is designed for DDA compliance and is ideal for all external applications and those that are subject to abuse.

Its large round design makes it a perfect substitute for the stainless steel push pad providing more features and being aesthetically pleasing in comparison

Hardwired or secure encrypted 868MHz wireless versions available. Hardwired units can be set for true 'handsfree operation ideal for hospitals & clean rooms.

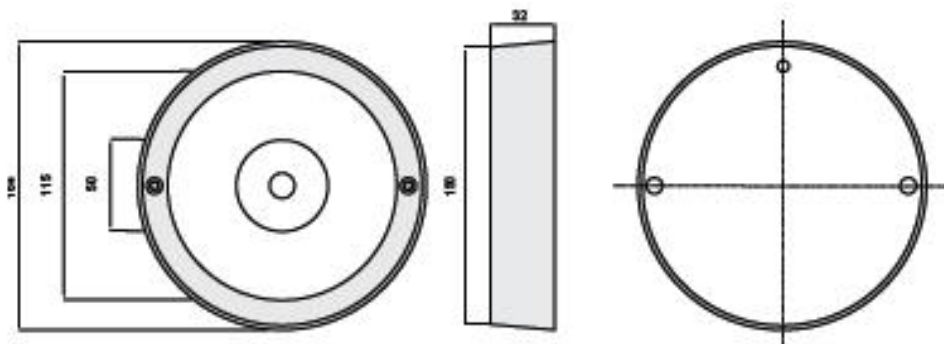
APPLICATIONS

Door entry & exit assistance / operating an automatic door / Access control switch



The unit pictured is the hardwired Architrave Touch Sensor with Assisted Door text, wheelchair & pram logos

DIMENSIONS (All shown in mm)



How Touch Sensors work

JWS Touch Sensors require no physical pressure to operate which make them ideal for users with physical disabilities.

The signage design incorporates a static or flashing Ultrabrite LED* whilst also providing a suitable colour contrast. These features make it suitable for users with visual impairments. *except wireless



Touch Sensors can be used as an environmentally friendly alternative to infrared sensors reducing false triggering whilst enhancing the door and operator life expectancy.

Specification

Material: Nylon (glass filled)
 Mark resistant signage
 (can be customised to your specification to convey your message)
 Some anti-ligature properties
 (housing is rounded and smooth)
 IP Rating: IP65
 (when fitted with silicon seal)
 Metal backplate & gasket supplied
 Colour coded blanking plugs to hide fixings

Available Connections:
 Relay NC,NO, C and LED + and 0v

Hardwired
 Operating Voltage: 12 to 24v DC
 Current: 10mA (qui) 40mA (active)
 LED: Red Ultrabrite (not wireless)

Wireless
 Frequency: 868MHz
 (Secure Encrypted)
 Life Cycle: Up to 120,000 operation
 Battery Requirements:
 AA Procell Alkaline (included)
 Please note that an RXPCB receiver is needed - up to 8 Touch Sensor / Transmitters per one receiver
 Wireless Touch Sensors have no LED



PRODUCT SPECIFICATION

Architrave Touch Sensor

..door jamb mounted Touch Sensor for when space is at a premium ..



Designed, manufactured & supported in the UK & EU



OVERVIEW

The Architrave (ARC) Touch Sensor range is designed for DDA compliance and is ideal for all external applications and those that are subject to abuse.

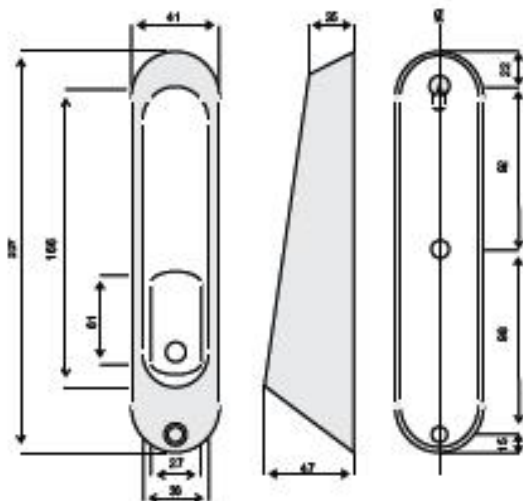
Its slim profile (40mm) allows for door jamb / architrave fitment

Hardwired or secure encrypted 868MHz wireless versions available

APPLICATIONS

Door entry & exit assistance
Operating an automatic door
Access Control switch

DIMENSIONS (All shown in mm)



ARCASS



Unit pictured is the hardwired Architrave Touch Sensor with Assisted Door text, wheelchair & pram logos

How Touch Sensors work

JWS Touch Sensors require no physical pressure to operate which make them ideal for users with physical disabilities.

The signage design incorporates a static or flashing Ultrabrite LED* whilst also providing a suitable colour contrast. These features make it suitable for users with visual impairments. *except wireless



Touch Sensors can be used as an environmentally friendly alternative to infrared sensors reducing false triggering whilst enhancing the door and operator life expectancy.

Specification

Material: Nylon (glass filled)
Mark resistant signage
(can be customised to your specification to convey your message)
Some anti-ligature properties
(housing is rounded and smooth)
IP Rating: IP65
(when fitted with silicon seal)
Metal backplate & gasket supplied

Available Connections:
Relay NC,NO, C and LED + and 0v

Hardwired
Operating Voltage: 12 to 24v DC
Current: 10mA (qui) 40mA (active)
LED: Red Ultrabrite (not wireless)

Wireless:
Frequency: 868MHz
Life Cycle: Up to 120,000 operation
Battery Requirements:
AA Procell Alkaline (included)
Please note that an RXPCB receiver is needed - up to 8 Touch Sensor / Transmitters per one receiver
Wireless Touch Sensors have no LED





OVERVIEW

The Single Gang Touch Sensor range has a multitude of applications and signage variants. They can be flush or surface mounted. Designed to fit in a standard UK electrical single gang housing they come complete with a 28mm surface mount box.

Both low cost 'TS' (without the LED) and high quality TSL (with Ultrabrite TM LED) are available. Manufactured since 1990 there are thousands in use in the UK and EU.



From left to right..

- TS12 - Touch To Exit
- TSLASS - Assisted Door
- TS12 - Door Release
- TSLREL - Door Release
- TS12- Assisted Door

OPERATION

Standard Touch Sensors: 'Touch' to 10mm
('Long Range' version are available for Hospital and 'Clean room' applications.)

Long Range Touch Sensors: It is widely acknowledged that cleaning surfaces with a general purpose disinfectant helps combat the spread of MRSA and other resistant bacteria. It is also true however that this measure only lasts until the next point of contact with the item be it a switch, door or a handle.

In an attempt to counteract this JWS have designed the 'Long Range' Touch Sensor. With an effective operating range on up to 75mm it allows the user to activate a door or access control system without any contact whatsoever.

APPLICATIONS

- Door entry & exit assistance / Access Control
- Operating an automatic door
- Hospitals / Operating Theatre doors
- Replacements for typical 'contact reliant' switches (rocker switches / push pads etc.)

How Touch Sensors work

JWS Touch Sensors require no physical pressure to operate which make them ideal for users with physical disabilities.

The signage can incorporate a static or flashing Ultrabrite LED whilst also providing a suitable colour contrast. These features make it suitable for users with visual impairments.



Touch Sensors can be used as an environmentally friendly alternative to infrared sensors reducing false triggering whilst enhancing the door and operator life expectancy.

Specification

Material:

Touch Sensors with LED
ABS Plastic Box with 5mm Acrylic front
LED: Red Ultrabrite

Touch Sensors without LED
ABS Plastic Box with ABS front

Size: (mm)
85(h)x85(w)x35(d) inc surface back box

Available Connections:

Relay NC,NO, C and LED + and 0v
(LED not on TS versions)

Operating Voltage:

12 to 24v DC
Current: 10mA (qui) 40mA (active)
Hardwire versions available only

Operating Range / Sensitivity:

Standard Range: Touch to 10mm
Long Range: Up to 75mm

Signage can be customised to your specification & convey your message.